

FOR OFFICIAL USE



National
Qualifications

Mark

X847/75/01

Mathematics
Paper 1 (Non-calculator)



Duration — 1 hour 15 minutes



* X 8 4 7 7 5 0 1 *

Fill in these boxes and read what is printed below.

Full name of centre

Town

Forename(s)

Surname

Number of seat

Date of birth

Day

Month

Year

Scottish candidate number

Total marks – 50

Attempt ALL questions.

You must NOT use a calculator.

To earn full marks you must show your working in your answers.

State the units for your answer where appropriate.

Write your answers clearly in the spaces provided in this booklet. Additional space for answers is provided at the end of this booklet. If you use this space you must clearly identify the question number you are attempting.

Use blue or black ink.

Before leaving the examination room you must give this booklet to the Invigilator; if you do not, you may lose all the marks for this paper.



* X 8 4 7 7 5 0 1 0 1 *



FORMULAE LIST

The roots of $ax^2 + bx + c = 0$ are $x = \frac{-b \pm \sqrt{(b^2 - 4ac)}}{2a}$

Sine rule $\frac{a}{\sin A} = \frac{b}{\sin B} = \frac{c}{\sin C}$

Cosine rule $a^2 = b^2 + c^2 - 2bc \cos A$ or $\cos A = \frac{b^2 + c^2 - a^2}{2bc}$

Area of a triangle $A = \frac{1}{2}ab \sin C$

Volume of a sphere $V = \frac{4}{3}\pi r^3$

Volume of a cone $V = \frac{1}{3}\pi r^2 h$

Volume of a pyramid $V = \frac{1}{3}Ah$

Standard deviation $s = \sqrt{\frac{\Sigma(x - \bar{x})^2}{n - 1}}$

or $s = \sqrt{\frac{\Sigma x^2 - \frac{(\Sigma x)^2}{n}}{n - 1}}$, where n is the sample size.



* X 8 4 7 7 5 0 1 0 2 *

MARKS DO NOT WRITE IN THIS MARGIN

Total marks — 50
Attempt ALL questions

1. Calculate $|\mathbf{d}|$, the magnitude of vector $\mathbf{d} = \begin{pmatrix} 1 \\ -4 \\ 8 \end{pmatrix}$.

2

2. Evaluate $5\frac{1}{2} - 1\frac{2}{7}$.

2

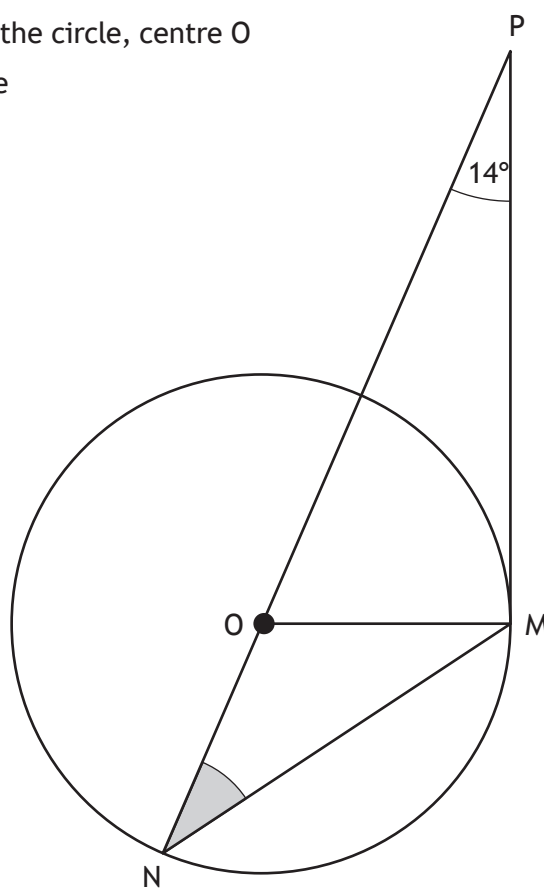


3. Expand and simplify $(6x - 5)(x + 3) + 2x(4 - x)$.

3

4. In the diagram shown below

- PM is a tangent to the circle, centre O
- PN is a straight line
- angle OPM is 14° .



Calculate the size of shaded angle ONM.

2



5. The number of absentees at Applegrove High School was recorded each day over a four-week period.

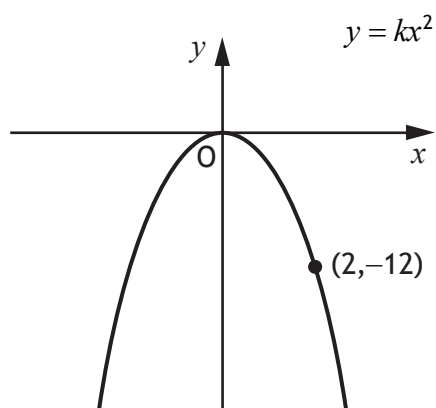
The results are shown below.

7	8	8	11	12	14	14	15	17	17
18	20	20	21	23	24	25	26	27	29

Find the semi-interquartile range of this data.

2

6. The diagram below shows part of the graph of $y = kx^2$.



Find the value of k .

2



MARKS

DO NOT
WRITE IN
THIS
MARGIN

7. Solve, algebraically, the system of equations

$$5c + 2d = 4$$

$$4c - 3d = 17$$

3



* X 8 4 7 7 5 0 1 0 6 *

MARKS

DO NOT
WRITE IN
THIS
MARGIN

8. Determine the nature of the roots of the function $f(x) = x^2 + 4x - 7$.

2

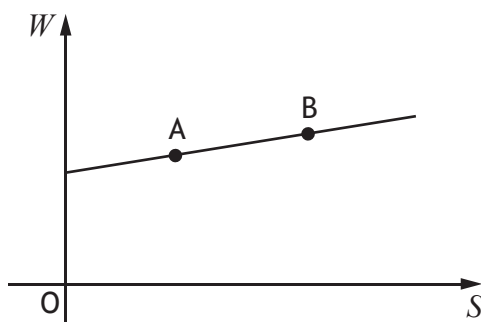
9. Express $\sqrt{50} + \sqrt{45} - \sqrt{2}$ in its simplest form.

3



* X 8 4 7 7 5 0 1 0 7 *

10. David works in a shop, and is paid weekly.
 His wage is made up of a basic wage plus commission on his sales.
 The graph shows his wage, W pounds, against his sales, S pounds.



Point A represents sales of £6000 and a wage of £450.

Point B represents sales of £7200 and a wage of £510.

- (a) Find the equation of the line in terms of W and S .
 Give the equation in its simplest form.

3



10. (continued)

(b) Calculate David's wage in a week when his sales are £1000.

1

11. Solve, algebraically, the inequation $1 - (x + 4) > 2x$.

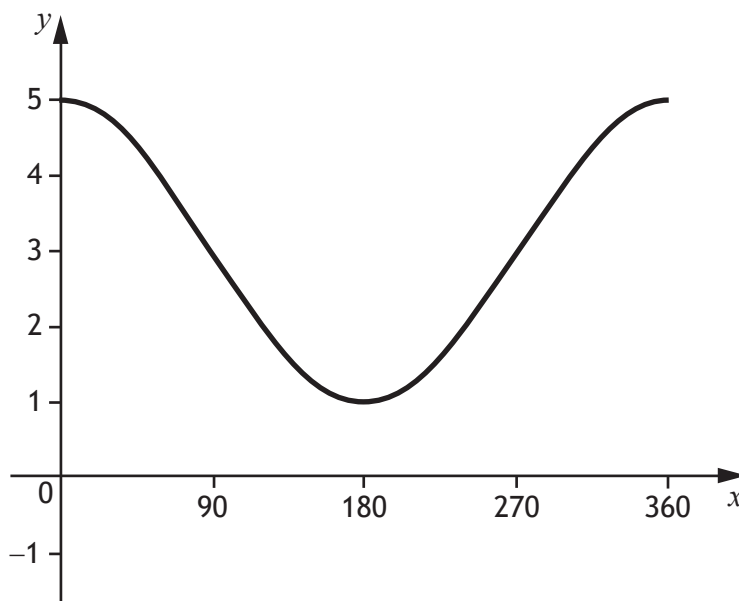
3



12. A band sold 2400 tickets for their gig in Edinburgh.
 This was 75% of the number of tickets sold for their gig in Glasgow.
 Calculate the number of tickets sold for their gig in Glasgow.

3

13. The graph of $y = a \cos x^\circ + b$, $0 \leq x \leq 360$, is shown.

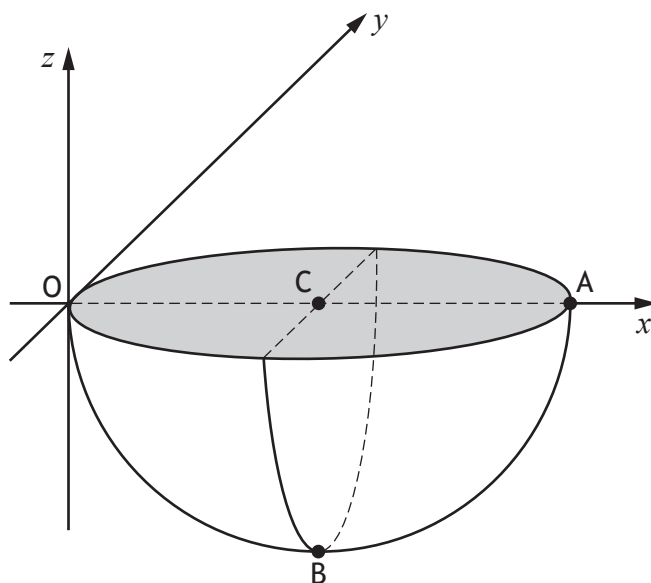


State the values of a and b .

2



14. The diagram shows a hemisphere relative to the coordinate axes.



- A is the point $(6, 0, 0)$
- C is the midpoint of diameter OA
- B is vertically below C

(a) State the coordinates of B.

1

(b) Calculate the volume of the hemisphere.

Give your answer in its simplest form in terms of π .

2



* X 8 4 7 7 5 0 1 1 1 *

MARKS

DO NOT
WRITE IN
THIS
MARGIN

15. Evaluate $16^{\frac{3}{2}}$.

2

16. The function $f(x)$ is defined by $f(x) = 4 \sin 3x^\circ$.
Evaluate $f(90)$.

2



* X 8 4 7 7 5 0 1 1 2 *

MARKS

DO NOT
WRITE IN
THIS
MARGIN

17. Sketch the graph of $y = 2(x-1)^2 + 4$.

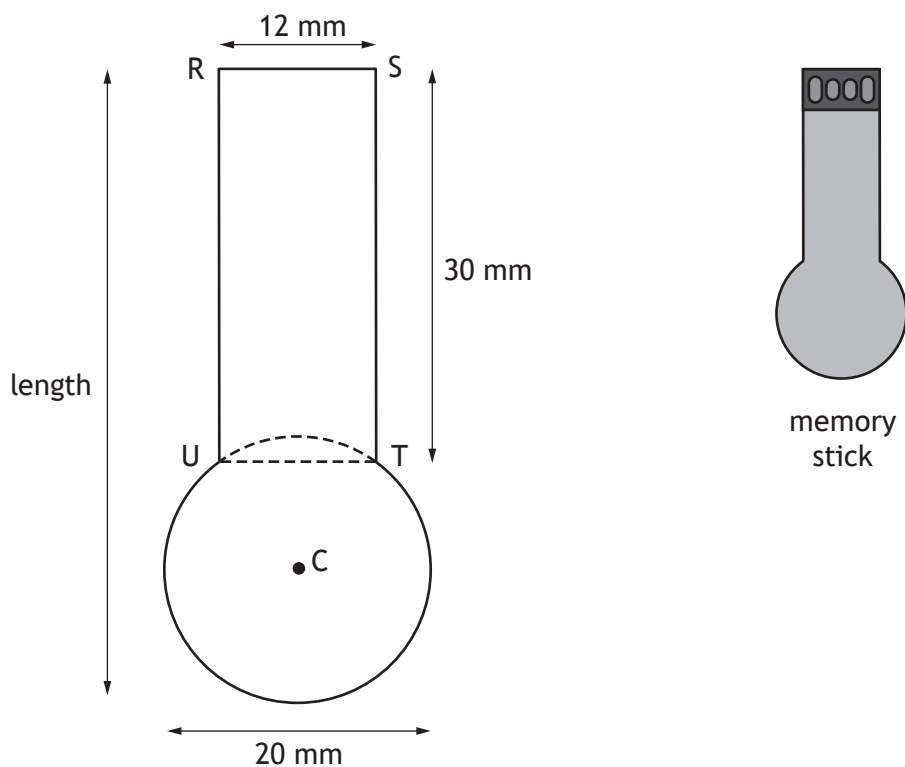
On your sketch, show clearly the coordinates of the turning point and the point of intersection with the y -axis.

3



* X 8 4 7 7 5 0 1 1 3 *

18. The diagram below shows a design for a memory stick.
The design consists of a rectangle, RSTU and part of a circle, centre C.



- $RS = UT = 12$ millimetres
- $RU = ST = 30$ millimetres
- The diameter of the circle is 20 millimetres
- UT is a chord of the circle

Calculate the length of the memory stick.

4



MARKS

DO NOT
WRITE IN
THIS
MARGIN

19. Solve the equation by factorising

$$6x^2 + 13x - 5 = 0$$

3

[END OF QUESTION PAPER]



* X 8 4 7 7 5 0 1 1 5 *

MARKS DO NOT
WRITE IN
THIS
MARGIN

ADDITIONAL SPACE FOR ANSWERS



* X 8 4 7 7 5 0 1 1 6 *

MARKS

DO NOT
WRITE IN
THIS
MARGIN

ADDITIONAL SPACE FOR ANSWERS



* X 8 4 7 7 5 0 1 1 7 *

[BLANK PAGE]

DO NOT WRITE ON THIS PAGE



* X 8 4 7 7 5 0 1 1 8 *

[BLANK PAGE]

DO NOT WRITE ON THIS PAGE



[BLANK PAGE]

DO NOT WRITE ON THIS PAGE



* X 8 4 7 7 5 0 1 2 0 *

FOR OFFICIAL USE



National
Qualifications

Mark

X847/75/02

**Mathematics
Paper 2**

Duration — 1 hour 50 minutes



Fill in these boxes and read what is printed below.

Full name of centre

Town

Forename(s)

Surname

Number of seat

Date of birth

Day

Month

Year

Scottish candidate number

Total marks — 60

Attempt ALL questions.

You may use a calculator.

To earn full marks you must show your working in your answers.

State the units for your answer where appropriate.

Write your answers clearly in the spaces provided in this booklet. Additional space for answers is provided at the end of this booklet. If you use this space you must clearly identify the question number you are attempting.

Use **blue** or **black** ink.

Before leaving the examination room you must give this booklet to the Invigilator; if you do not, you may lose all the marks for this paper.



FORMULAE LIST

The roots of $ax^2 + bx + c = 0$ are $x = \frac{-b \pm \sqrt{(b^2 - 4ac)}}{2a}$

Sine rule $\frac{a}{\sin A} = \frac{b}{\sin B} = \frac{c}{\sin C}$

Cosine rule $a^2 = b^2 + c^2 - 2bc \cos A$ or $\cos A = \frac{b^2 + c^2 - a^2}{2bc}$

Area of a triangle $A = \frac{1}{2}ab \sin C$

Volume of a sphere $V = \frac{4}{3}\pi r^3$

Volume of a cone $V = \frac{1}{3}\pi r^2 h$

Volume of a pyramid $V = \frac{1}{3}Ah$

Standard deviation $s = \sqrt{\frac{\Sigma(x - \bar{x})^2}{n - 1}}$

or $s = \sqrt{\frac{\Sigma x^2 - \frac{(\Sigma x)^2}{n}}{n - 1}}$, where n is the sample size.



* X 8 4 7 7 5 0 2 0 2 *

Total marks — 60
Attempt ALL questions

1. A housing development is being built.

The price of a house built in 2020 is £250 000.

This price is expected to increase by 4% each year.

Calculate the expected price of a house built in 2022.

3

2. Light travels at 3×10^8 metres per second.

A star is 4.2×10^{17} metres away from Earth.

Calculate the number of seconds it takes for light from this star to reach Earth.

Give your answer in scientific notation.

2



* X 8 4 7 7 5 0 2 0 3 *

MARKS

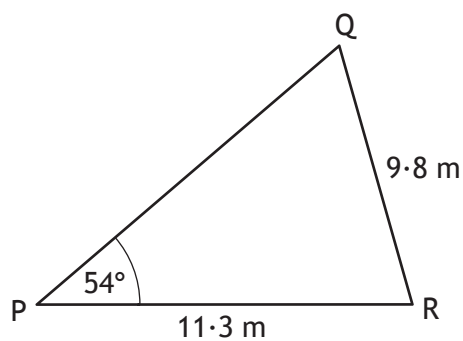
DO NOT
WRITE IN
THIS
MARGIN

3. Factorise fully $3a^2 - 75$.

2

4. In triangle PQR

- $PR = 11.3$ metres
- $QR = 9.8$ metres
- angle $QPR = 54^\circ$.

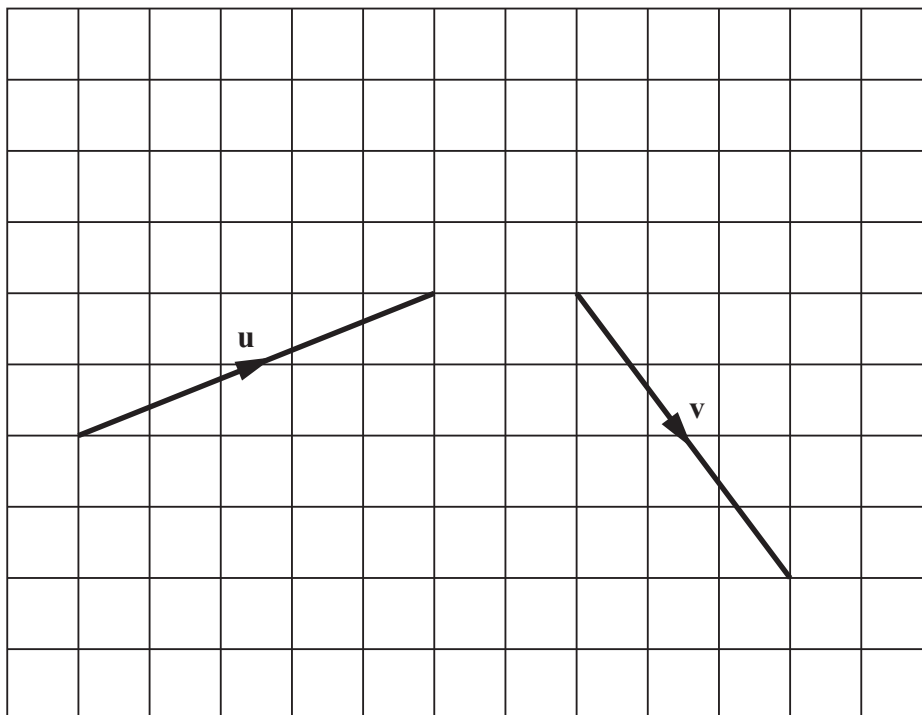


Calculate the size of acute angle PQR.

3



5. The vectors \mathbf{u} and \mathbf{v} are shown in the diagram below.



Find the resultant vector $\mathbf{u} - \mathbf{v}$.

Express your answer in component form.

2



* X 8 4 7 7 5 0 2 0 5 *

6. A company operates a bus route from the city centre to the airport.
The number of passengers on six of its buses on a Monday was

32 27 34 29 31 33.

- (a) Calculate the mean and standard deviation of the number of passengers. 4

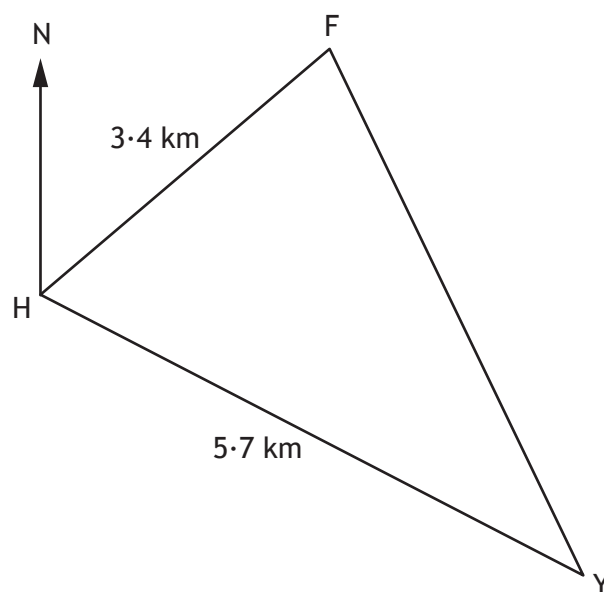
- (b) The mean number of passengers the following Saturday was 28 and the standard deviation was 3.2.

Make two valid comments comparing the number of passengers on each bus on Monday and Saturday.

2



7. A fishing boat and a yacht left a harbour at the point H.
The fishing boat travelled 3.4 kilometres on a bearing of 047° to the point F.
The yacht travelled 5.7 kilometres on a bearing of 115° to the point Y.



Calculate the distance between the fishing boat at F and the yacht at Y.

4

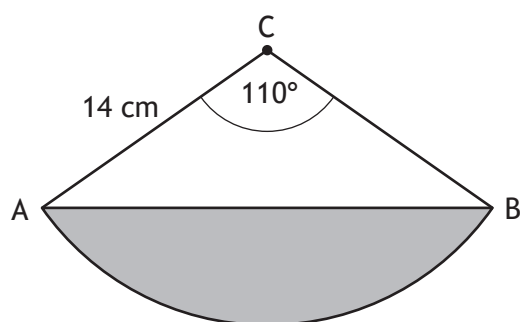


MARKS

DO NOT
WRITE IN
THIS
MARGIN

8. The diagram shows a sector of a circle, with centre C and radius 14 centimetres.

Angle ACB is 110° .



AB splits the sector into the shaded segment and triangle ABC.

Find the area of the shaded segment.

5



MARKS

DO NOT
WRITE IN
THIS
MARGIN

9. A straight line has equation $3x + 4y - 8 = 0$.

(a) Find the gradient of the line.

2

(b) State the coordinates of the point where the line crosses the y -axis.

1

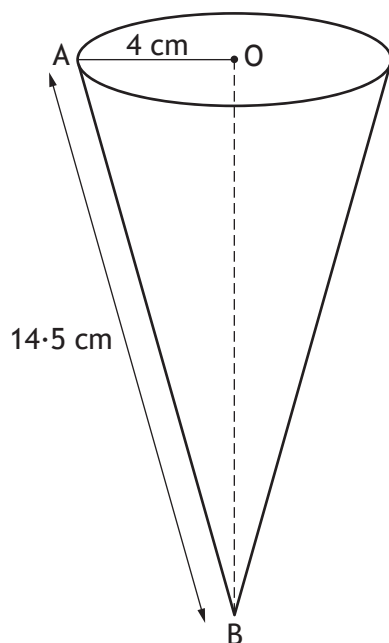
10. Change the subject of the formula $d = \sqrt{\frac{3h}{2}}$ to h .

3



* X 8 4 7 7 5 0 2 0 9 *

11. The base of an ice cream cone has centre O and radius 4 centimetres.
The length of AB is 14.5 centimetres.



Calculate the volume of the cone.
Give your answer correct to 2 significant figures.

5



MARKS

DO NOT
WRITE IN
THIS
MARGIN

12. Express

$$\frac{6x}{y} \div \frac{2x^2}{y+5}, \quad x \neq 0, y \neq 0, y \neq -5$$

as a single fraction in its simplest form.

3



* X 8 4 7 7 5 0 2 1 1 *

13. The two photographs shown are mathematically similar.



12 cm



width

The small photograph has an area of 80 square centimetres, and is 12 centimetres wide.

The large photograph has an area of 500 square centimetres.

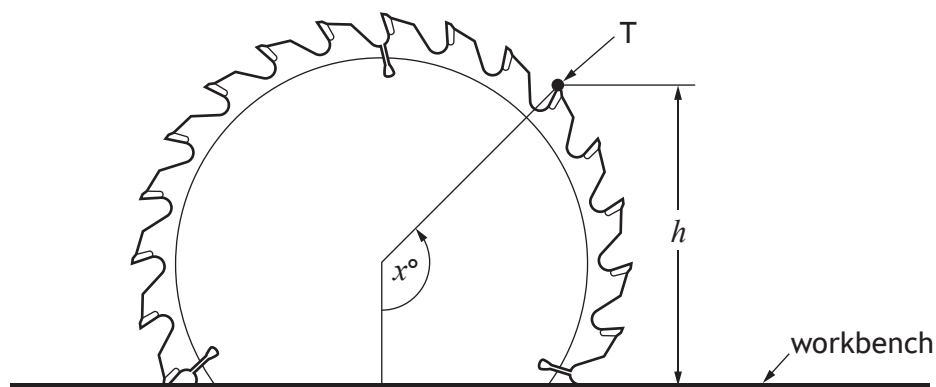
Calculate the width of the large photograph.

3



* X 8 4 7 7 5 0 2 1 2 *

14. The diagram shows the part of the blade of a circular saw above a workbench.



As the blade rotates, the height, h millimetres, of point T above the workbench is given by

$$h = 57 - 85 \cos x^\circ$$

where x is the angle the blade has turned anti-clockwise from a starting position.

- (a) Calculate the value of x when point T is first at a height of 115 millimetres above the workbench.

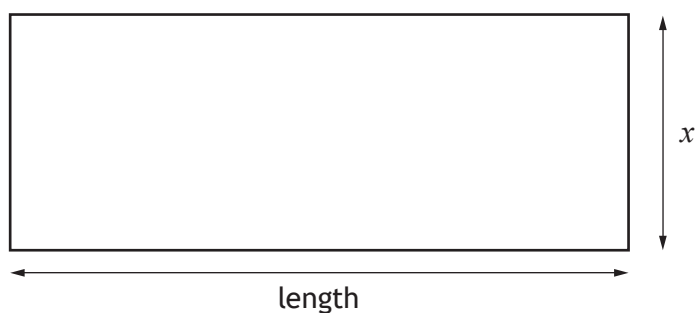
3

- (b) Calculate the value of x when point T is next at this height.

1



15. The diagram shows a rectangle with breadth x centimetres.



The length of the rectangle is 5 centimetres more than its breadth.

(a) Write down an expression for its length in terms of x .

1

The rectangle has an area of 20 square centimetres.

(b) Show that $x^2 + 5x - 20 = 0$.

2



MARKS

DO NOT
WRITE IN
THIS
MARGIN

15. (continued)

- (c) Calculate x , the breadth of the rectangle.
Give your answer correct to one decimal place.

4



* X 8 4 7 7 5 0 2 1 5 *

MARKS

DO NOT
WRITE IN
THIS
MARGIN

16. Expand and simplify

$$\cos x^\circ (\tan x^\circ + 1).$$

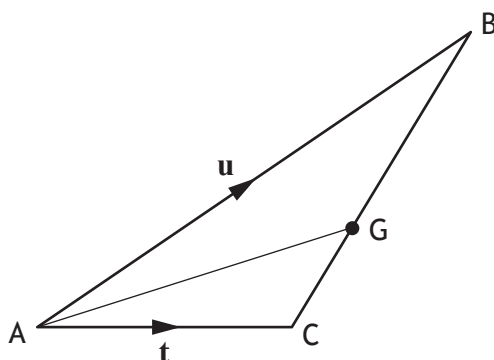
Show your working.

2



* X 8 4 7 7 5 0 2 1 6 *

17. The triangle ABC is shown below



$$\vec{AB} = \mathbf{u} \text{ and } \vec{AC} = \mathbf{t}.$$

G is the point such that $CG = \frac{1}{3}CB$.

Express \vec{AG} in terms of \mathbf{u} and \mathbf{t} .

Give your answer in simplest form.

3

[END OF QUESTION PAPER]



* X 8 4 7 7 5 0 2 1 7 *

MARKS

DO NOT
WRITE IN
THIS
MARGIN

ADDITIONAL SPACE FOR ANSWERS



* X 8 4 7 7 5 0 2 1 8 *

MARKS

DO NOT
WRITE IN
THIS
MARGIN

ADDITIONAL SPACE FOR ANSWERS



* X 8 4 7 7 5 0 2 1 9 *

[BLANK PAGE]

DO NOT WRITE ON THIS PAGE

Acknowledgement of copyright

Question 13 Dudarev Mikhail/shutterstock.com

